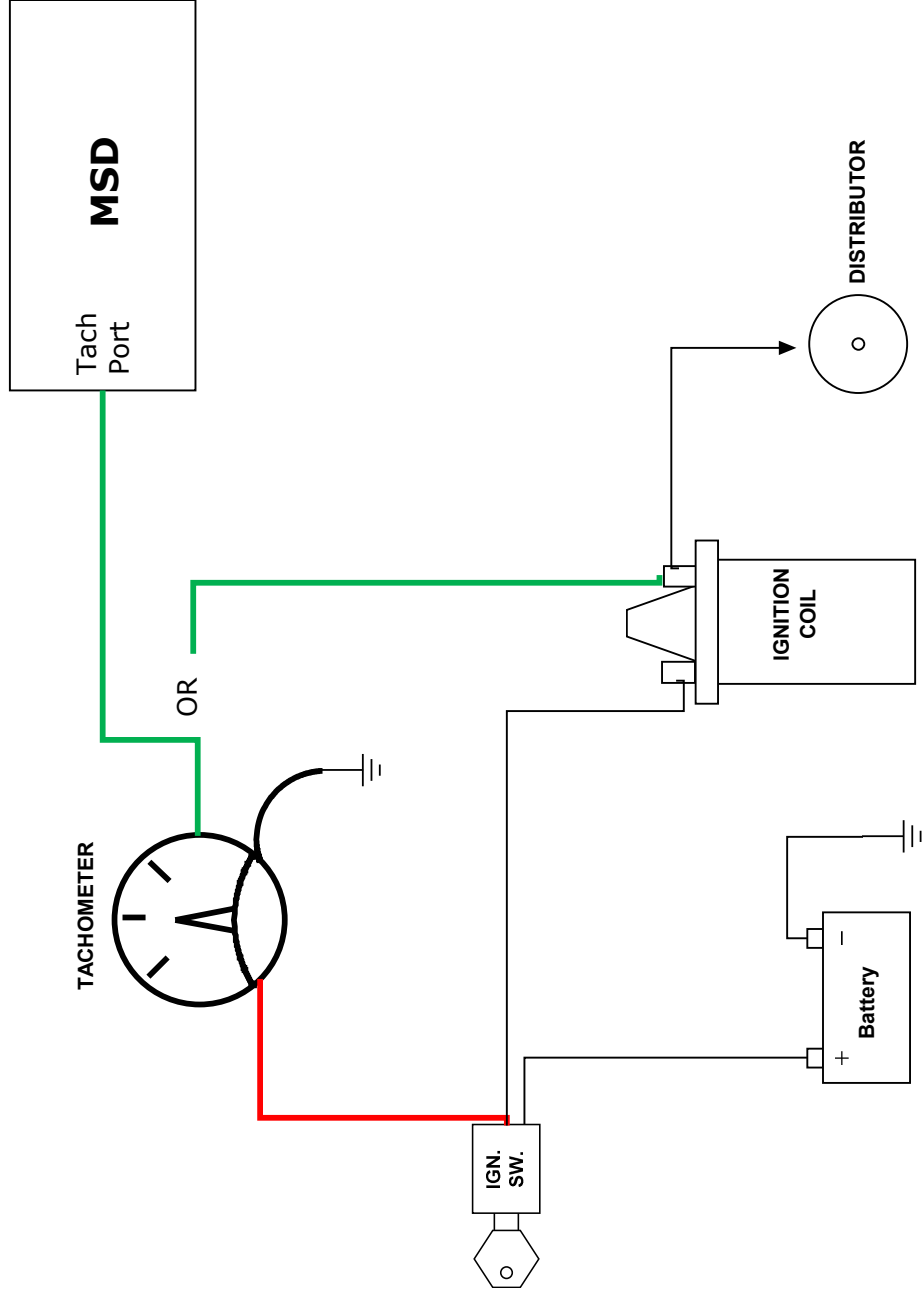


Red = 12V switched  
 Black = Ground  
 Green = Signal\*

\*Signal can come from  
 MSD tach port or distributor  
 (-) side of coil.

Notes:



**WIRING DIAGRAM - without OEM tach**  
 Rocketman Tachometer - G1S, G2S

DRAWN BY	CHECKED	DATE	SCALE	SHEET NO.
RWM		2 Sept 08	n/a	1 of 1